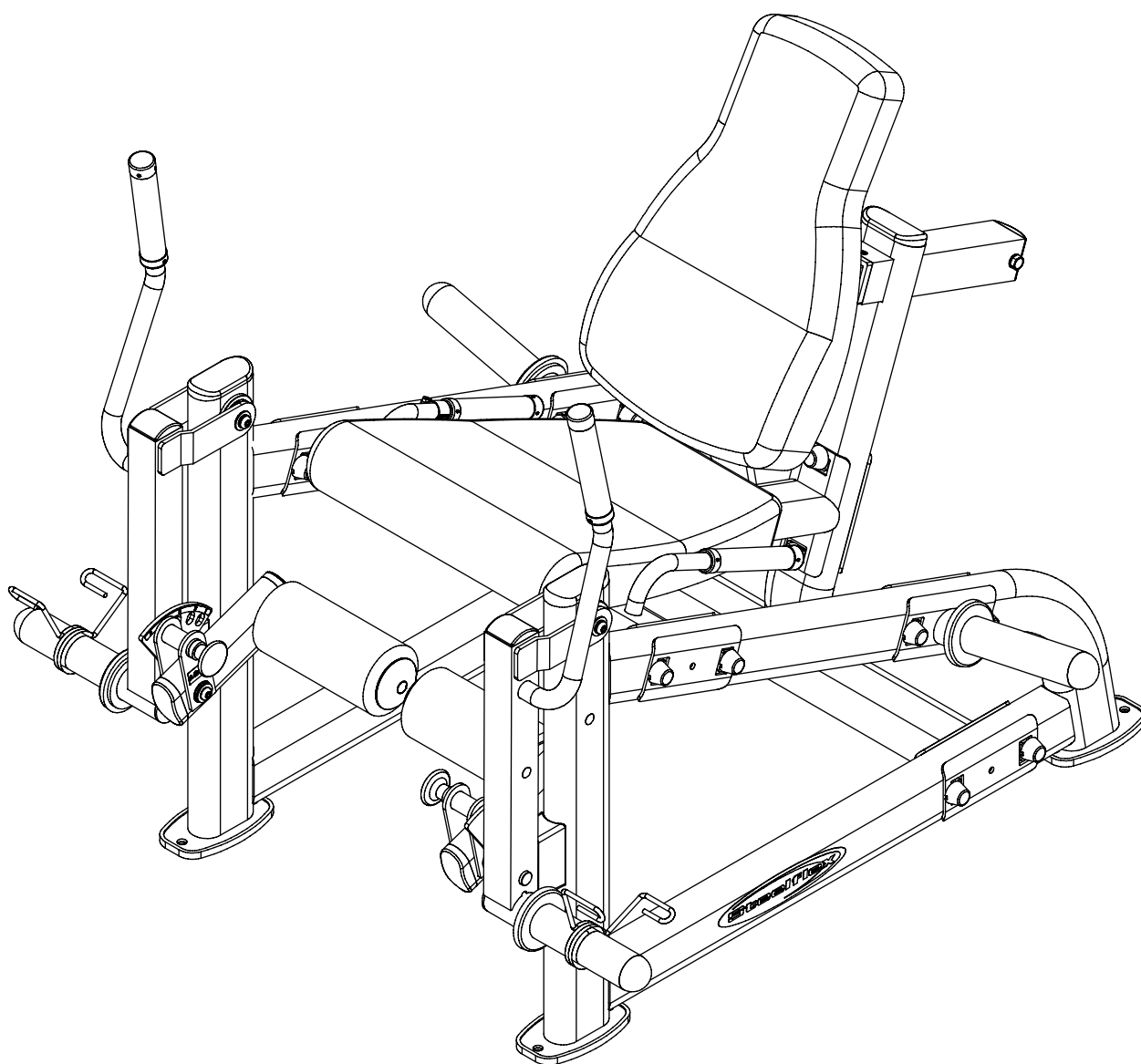


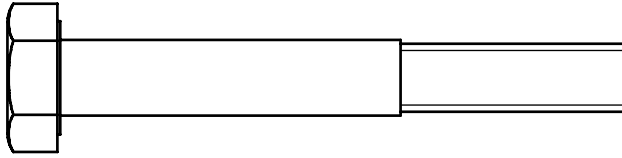
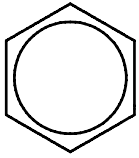
PLLE



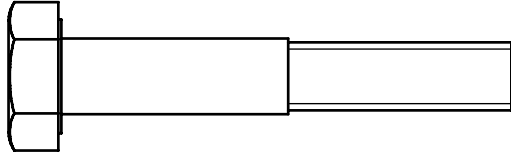
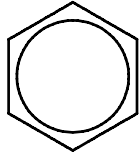
Assembly & Instructions
OWNER'S & MANUAL

PLLE HARDWARE

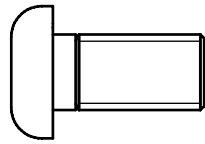
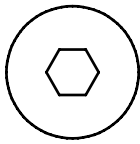
(shown in actual size)



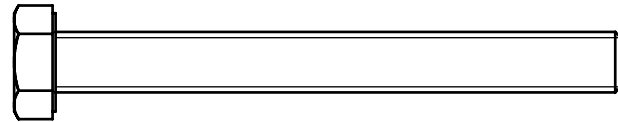
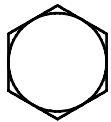
A1. M10x75 HEX HEAD SCREW...15PCS



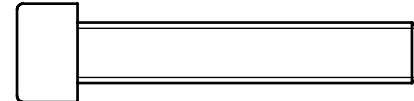
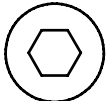
A2. M10x60 HEX HEAD SCREW...1PCS (Pre-installed)



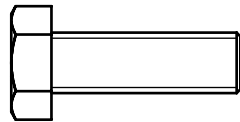
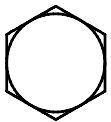
A3. M10x20 ALLEN SCREW(FULL THREAD)...6PCS(Pre-installed)



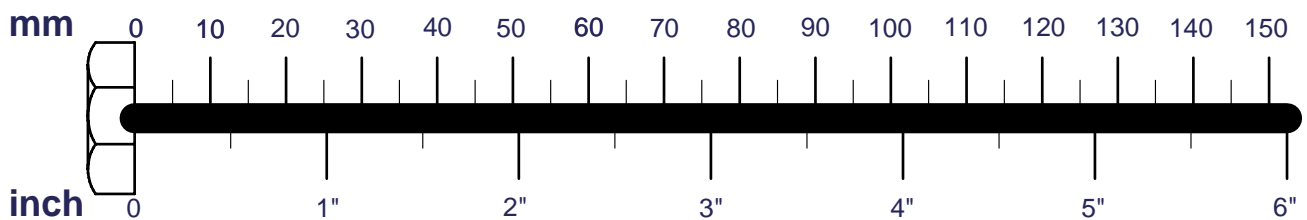
A4. M8x75 HEX HEAD SCREW...3PCS



A5. M8x45 SOCKET SCREW(FULL THREAD)...4PCS



A6. M8x25 HEX HEAD SCREW...4PCS



A2 M5 PLLE HARDWARE 18PCS

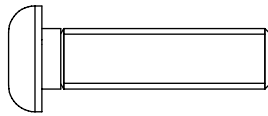
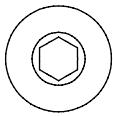
(shown in actual size)



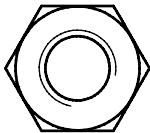
A8. M5x5 GRUB SCREW...18PCS (Pre-installed)



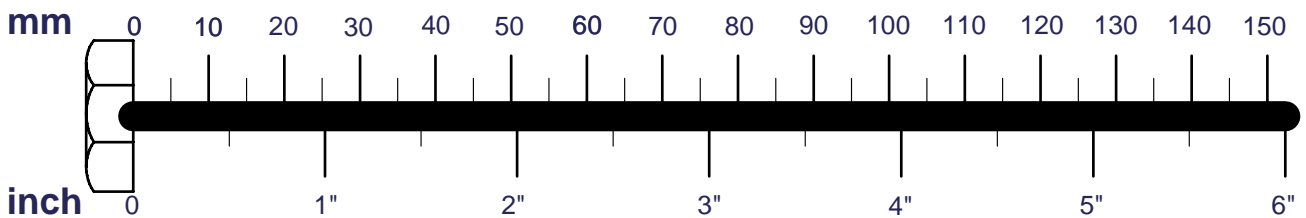
A10. M6x6 GRUB SCREW...8PCS (Pre-installed)



A9. M8X30 ALLEN SCREW(FULL THREAD)...2PCS

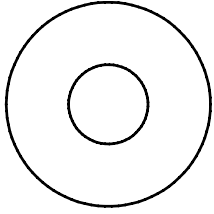


B1. M10 NYLON LOCK NUT...16PCS (Pre-installed 1PCS)

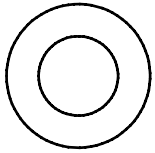


PLLE HARDWARE

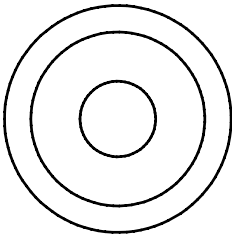
(shown in actual size)



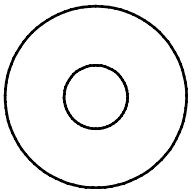
C1. M10 WASHER(Ø27)...6PCS(Pre-installed)



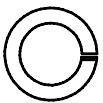
C2. M10 WASHER(Ø19)...2PCS



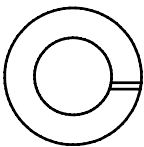
C3. M10 PLATE WASHER(Ø30)...28PCS



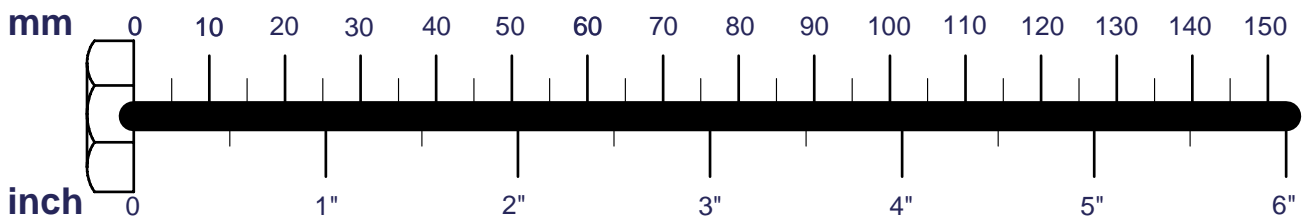
C4. M8 WASHER(Ø24)...7PCS



C5. M8 SPRING WASHER...9PCS

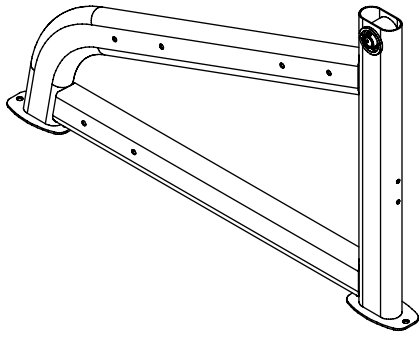


C6. M10 SPRING WASHER...4PCS(Pre-installed)

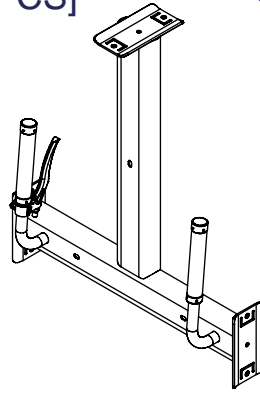


PLLE PARTS

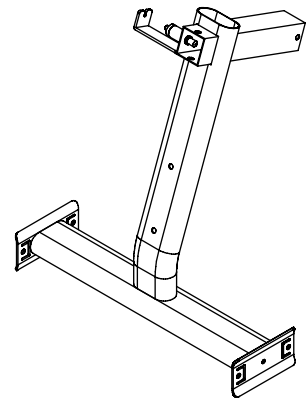
A [1PCS]



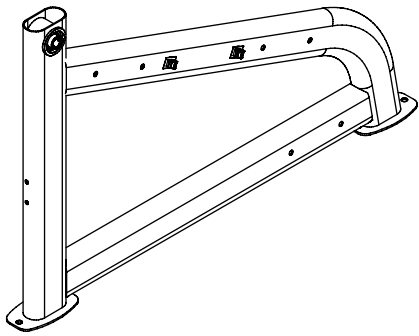
B [1PCS]



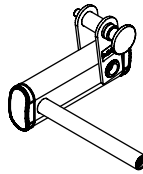
C [1PCS]



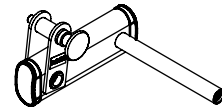
D [1PCS]



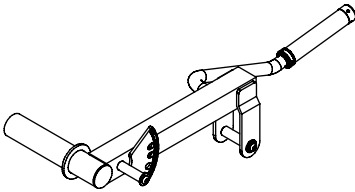
E [1PCS]



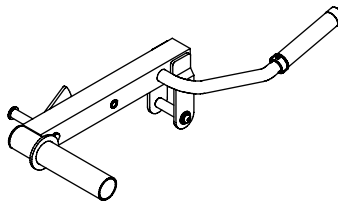
H [1PCS]



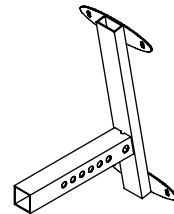
F [1PCS]



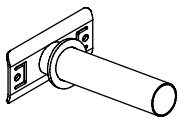
I [1PCS]



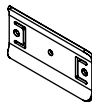
K [1PCS]



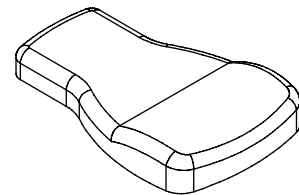
M [2PCS]
6730002



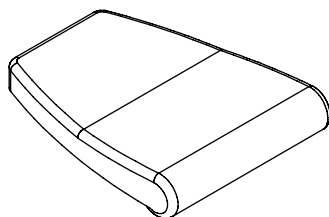
D [7PCS]
8323188



Q [1PCS]
9111072



P [1PCS]
9121077



N [1PCS]
8830023 (Pre-installed)



PLLE PARTS

D1. Co er Washer (8520-007)	[2PCS]
D2. Chrome collar (8890-061) (Pre-installed).....	[2PCS]
D3. Steel Cable (8890-068)	[1PCS]
D4. End cap (9211-016)	[2PCS]
D5. End cap (9211-074)	[4PCS]
D6. End cap (9211-086)	[2PCS]
D7. 50X50 End cap (9211-087)	[2PCS]
D8. End cap (9211-092)	[1PCS]
D9. 40x80 End Cap (9211-113) (Pre-installed).....	[4PCS]
D10. 50x100 END CAP (9211-114)	[3PCS]
D11. Nylon washer (9214-008)	[2PCS]
D12. Rubber Insert (9310-016)	[4PCS]
D13. Rubber Insert (9310-076)	[4PCS]
D14. Rubber Insert (9310-078).....	[2PCS]
D15. Pinch Cock (OC-06)	[2PCS]
D16. Cap sheath (9212-026)	[28PCS]
D17. Bearing (8510-048) (Pre-installed).....	[4PCS]
D18. Nylon bushing (9211-047)	[1PCS]
D19. Foam roller (9161-009)	[2PCS]

D1



D2



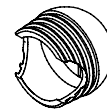
D3



D4



D5



D6



D7



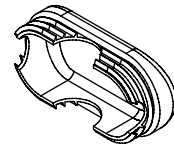
D8



D9



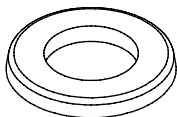
D10



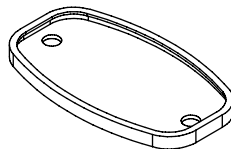
D11



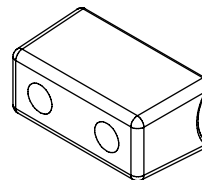
D12



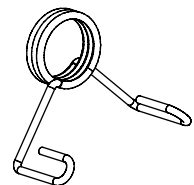
D13



D14



D15



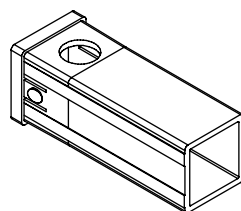
D16



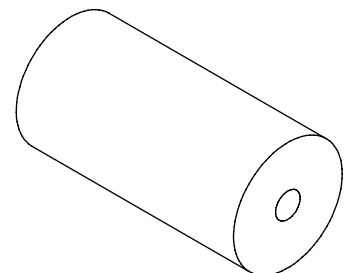
D17



D18



D19



PLLE PARTS

D20. End closure (8130-253) (Pre-installed).....	[2PCS]
D21. End closure (8130-249) (Pre-installed).....	[2PCS]
D22. Shaft (8220-184) (Pre-installed).....	[2PCS]
D23. Flat head pop pin (8250-122G) (Pre-installed).....	[2PCS]
D24. Flat head pop pin (8250-125) (Pre-installed).....	[1PCS]
D25. Copper sheath (8520-003) (Pre-installed).....	[4PCS]
D27. Chrome collar (8890-069) (Pre-installed).....	[2PCS]
D28. Skid handle (8890-070) (Pre-installed).....	[1PCS]
D29. Foam grip (9162-002) (Pre-installed).....	[2PCS]
D30. Foam grip (9162-103) (Pre-installed).....	[2PCS]
D31. End cover (9211-157)	[2PCS]
D32. Pulley spacer (8530-009) (Pre-installed).....	[2PCS]
D33. Pixture (9260-023) (Pre-installed).....	[2PCS]
D34. Pulley spacer (8110-079).....	[2PCS]

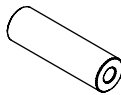
D20



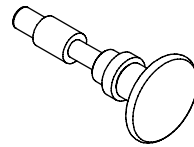
D21



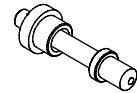
D22



D23



D24



D25



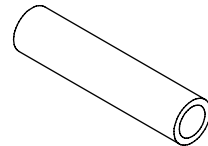
D27



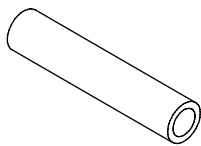
D28



D29



D30



D31



D32

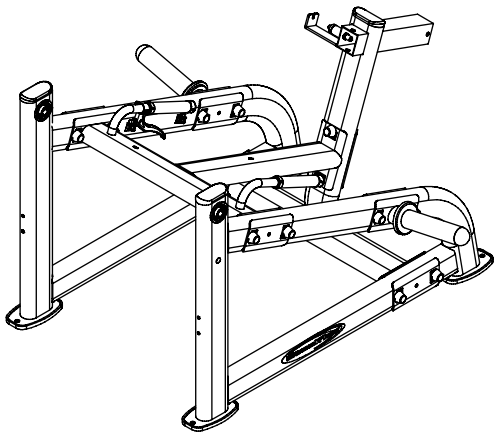


D33

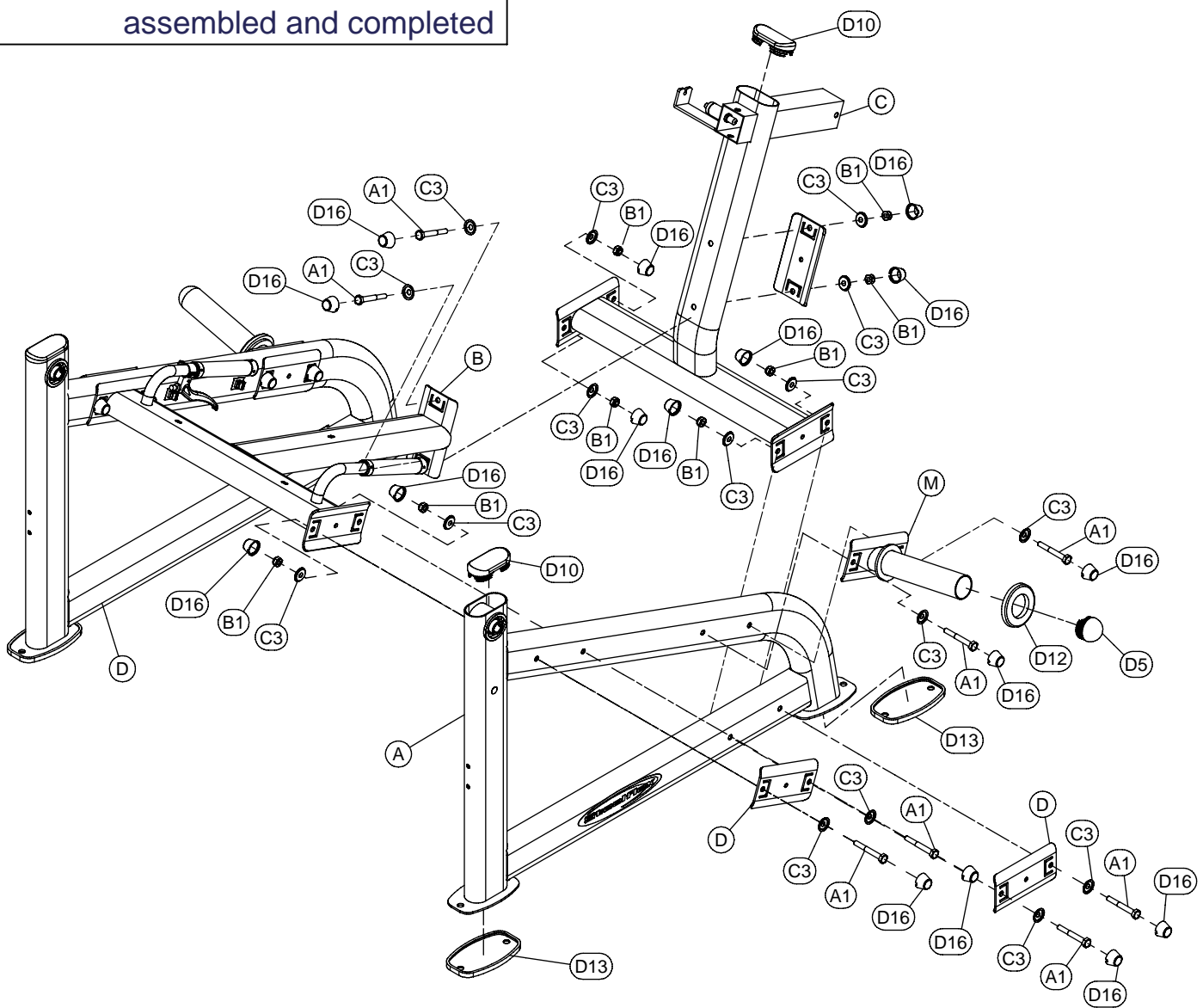


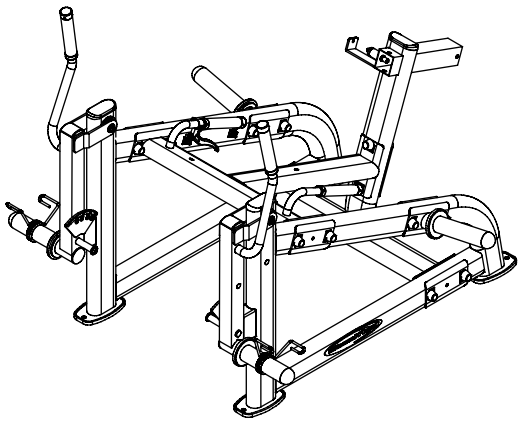
D34



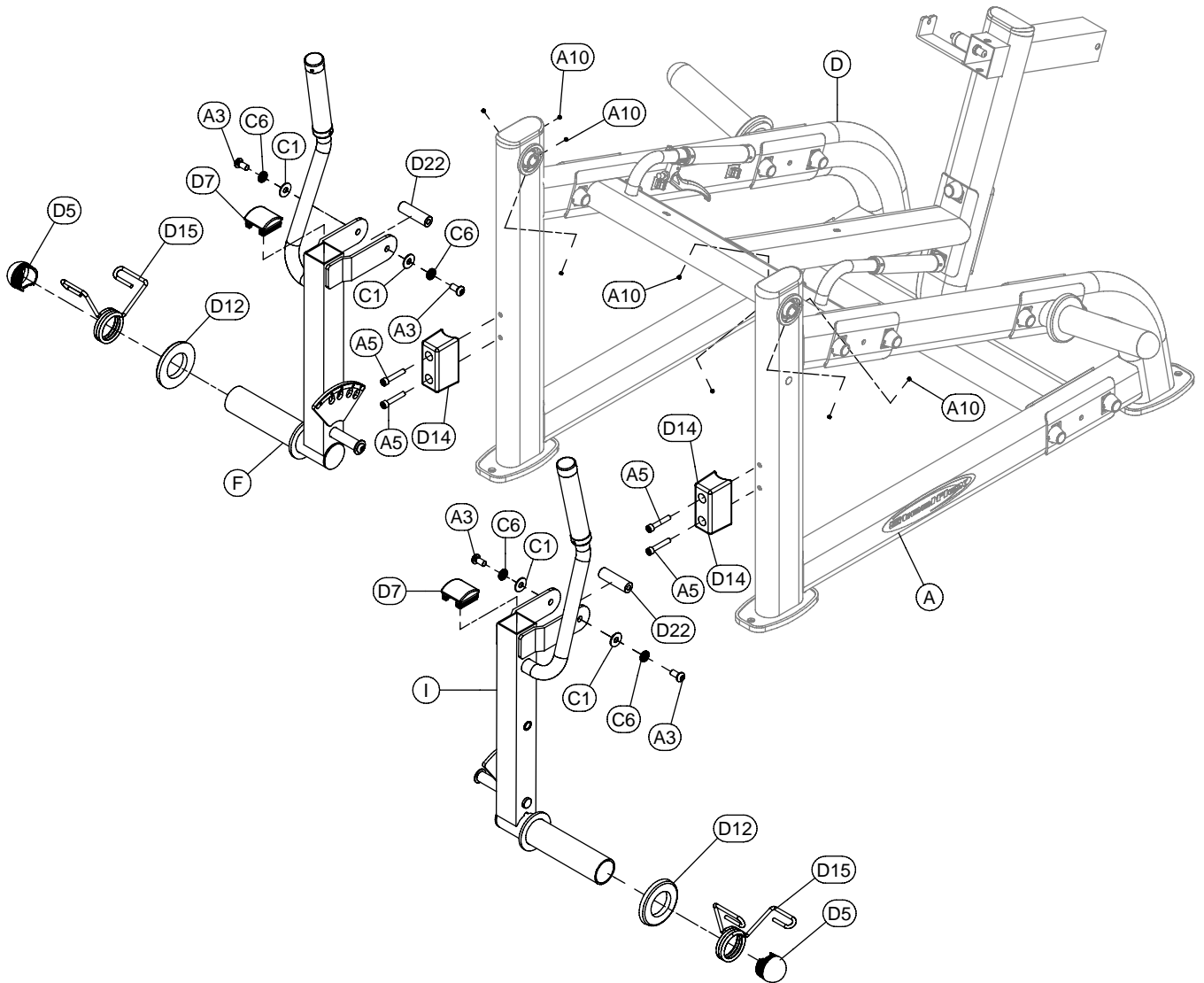


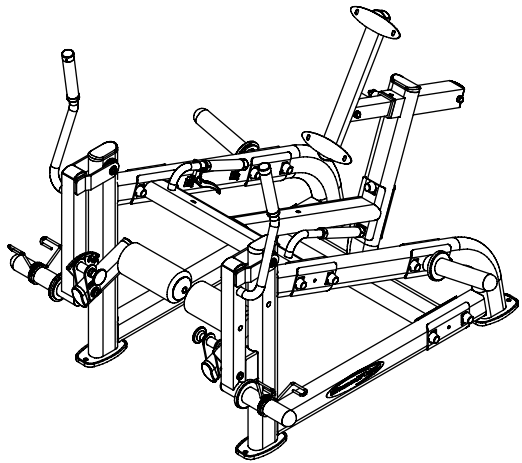
Above shows STEP 1 assembled and completed



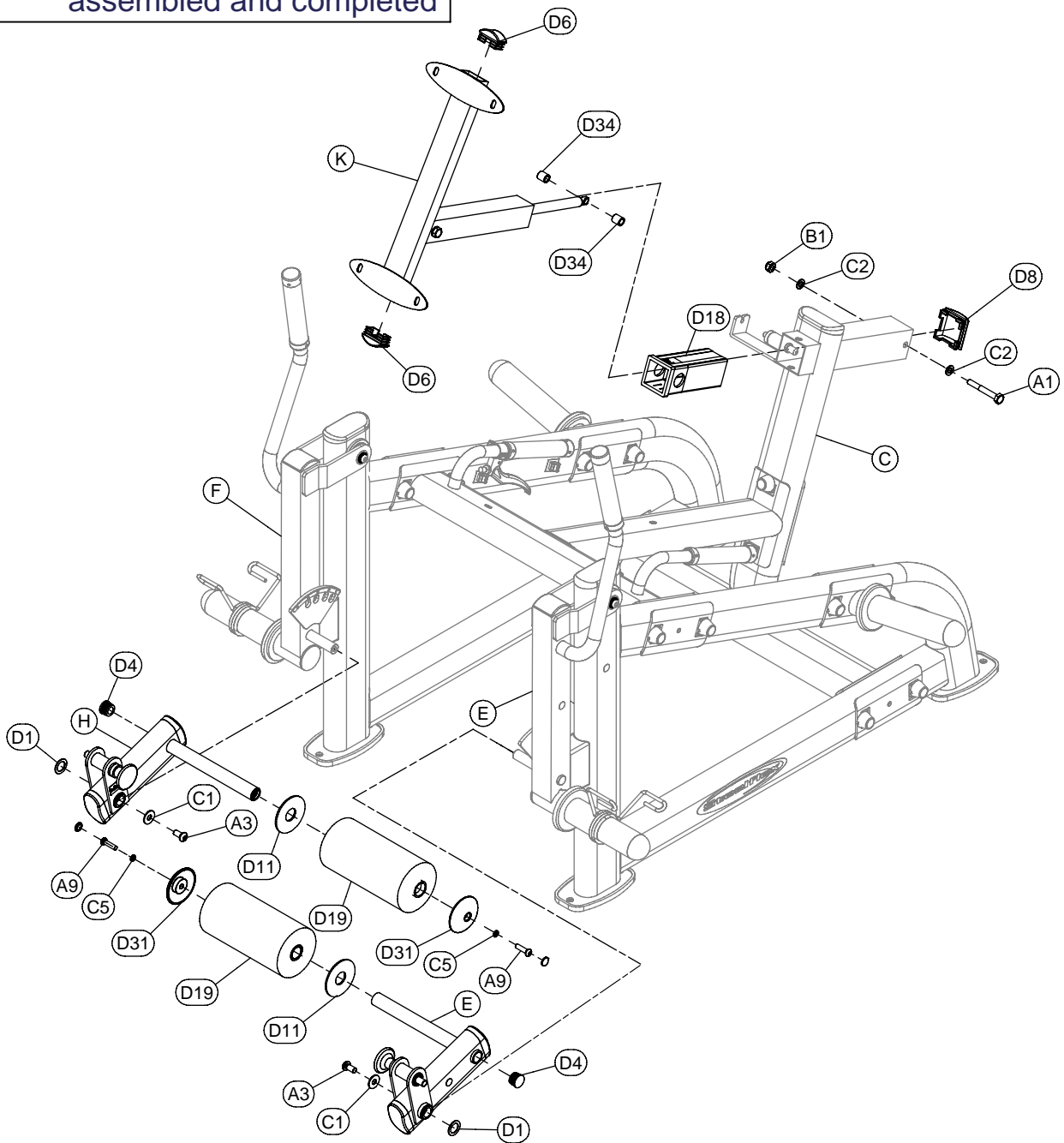


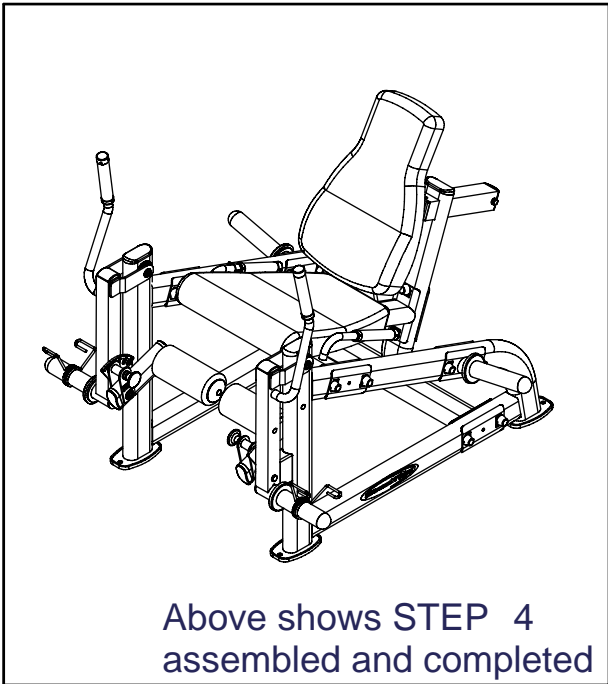
Above shows STEP 2 assembled and completed





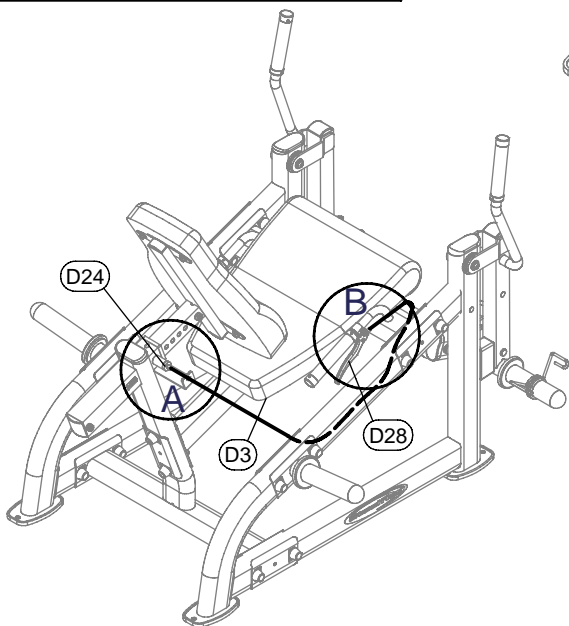
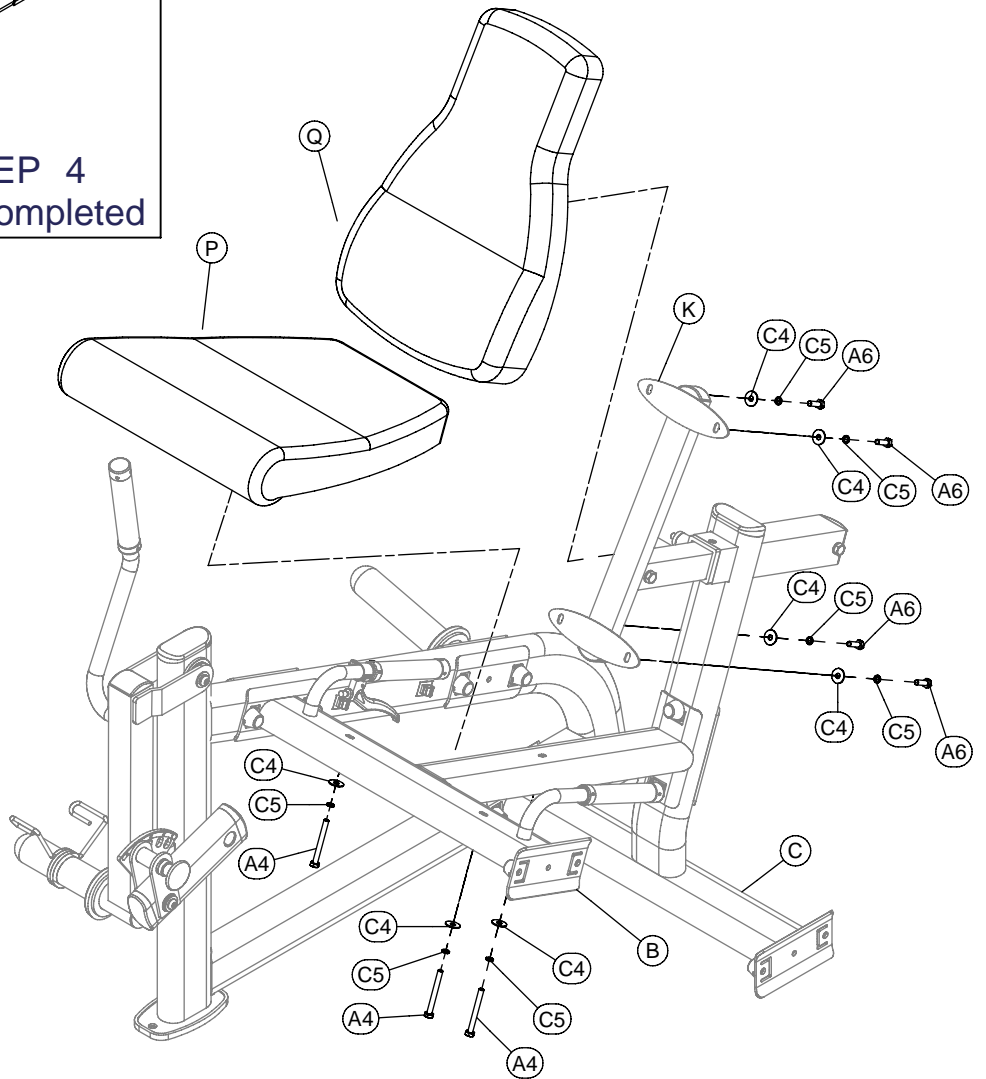
Above shows STEP 3 assembled and completed



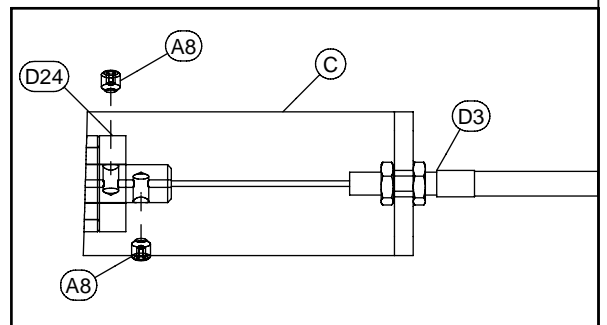


Above shows STEP 4 assembled and completed

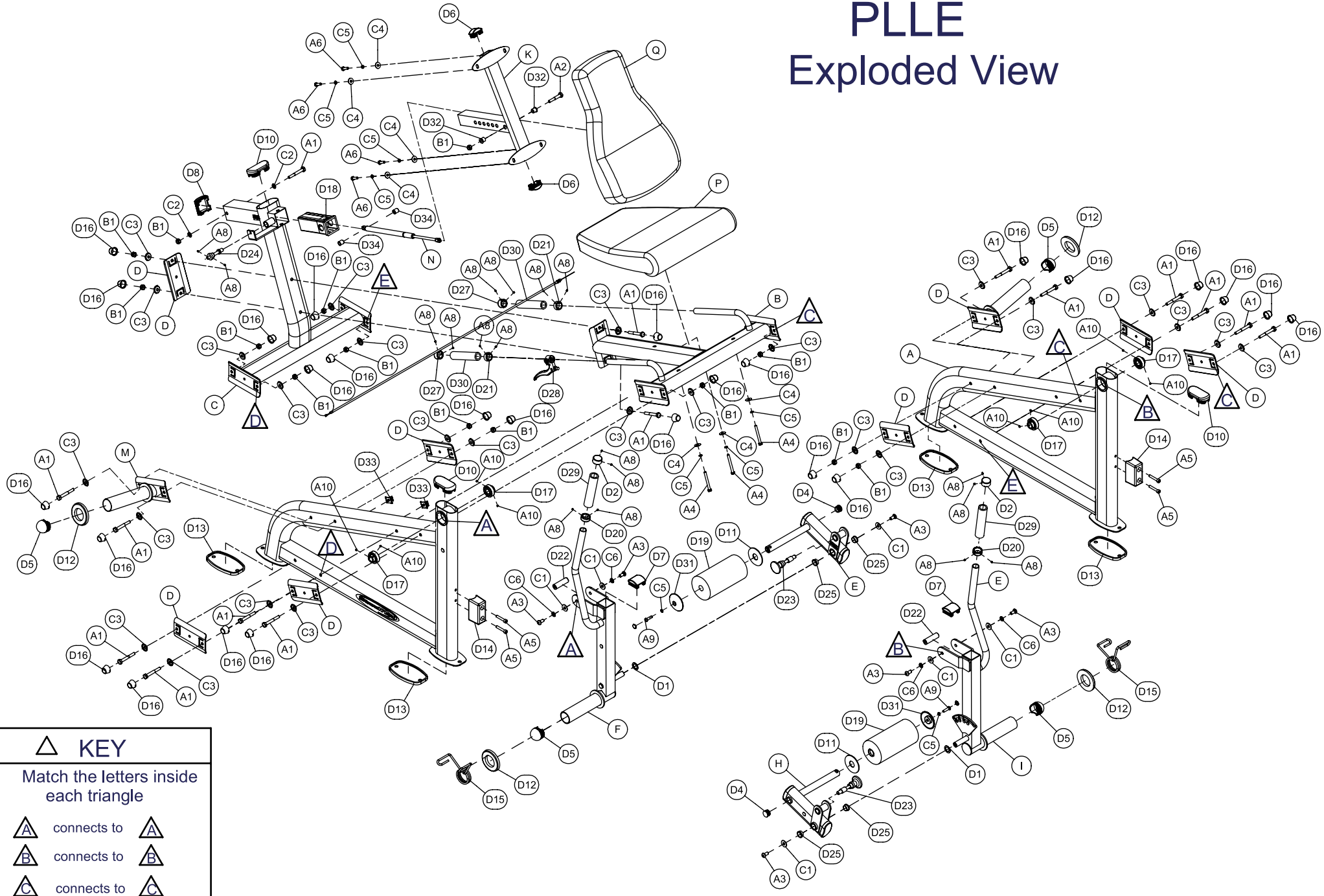
Detail view B



Detail view A



PLLE Exploded View



<p>△ KEY</p> <p>Match the letters inside each triangle</p>		
△ A	connects to	△ A
△ B	connects to	△ B
△ C	connects to	△ C